

HYUNDAI

L & C

 sadun

KITCHEN AND BATHROOM

HANEX® SINKS & BOWLS PROGRAM



Hanex®
Solid Surfaces



CONTENT

1. Casting Top Mounted Bowls

10

2. Casting Bowls

11

3. Casting Sinks

14

4. Accessories

18

No day is like any other. Mood, opinions, ideas, everything is constantly changing, and this is also true of people's living space. Working together with you, we realise creative room space.

As one of the global leading manufacturer of solid surfaces and together with our long-standing partners, we offer you products and solutions for many areas of use. Through our global network we offer our customer a comprehensive product portfolio in different price segments but always provided with a seal of quality from Hanex.

Personalise your design. The wide range of solid surface aesthetics offer an inspiring selection of solid, textured and translucent tones. You can accentuate your design with inlays or by contrasting your bowl and surface colours. It is also possible to combine your sinks and bowls with other materials like metal, wood, stone or glass.



Legend

Our entire collection is made of 100% Acrylic Solid Surface. The models listed here are only a small selection of the end products we offer directly and only show our casting sinks & bowls models. Our entire collection is made of 100% Acrylic Solid Surface.

Overflow

- ☒ With overflow
- ☒ Without overflow

Installation

- ☒ Undermounted
- ☒ Topmounted

Our local partners have a wide range of thermoformed sinks, basins and other products. Please contact us info@hyundailnc.eu directly or our partners <https://hyundailnc.eu/hanex/de/network/> for further questions.



Certification

The quality of Hanex® Solid Surfaces is certified by various institutions such as SCS, Greenguard, NSF. The result of specification and certifications can be downloaded under www.hyundailnc.eu.

Coming soon: EPD/ Environmental Product Declaration, New SCS, and more.....

Environment



Fire Rating



Hygiene



Processes



Façade



The unlimited design flexibility of Hanex enables you to create a beautiful and durable aesthetic in any high-end interior design and fit-out for commercial areas, be it a hospital, hotel or restaurant.



Hanex®

Casting Sinks & Bowls

Elegant, practical & simple design
Our casting bowls are perfect for the high hygienic requirements in the bathroom.
They are ideally for use in the commercial area, like hotels and restaurants, based on the convincing price-performance ratio.



Hanex®

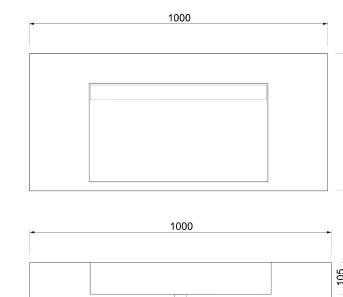
Casting Bowls



VB1001

NEW

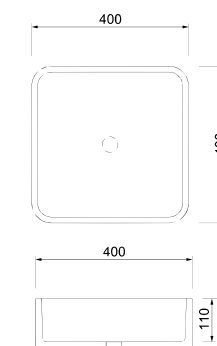
- S-008 N-White
- S-004 Ivory



VB4001

NEW

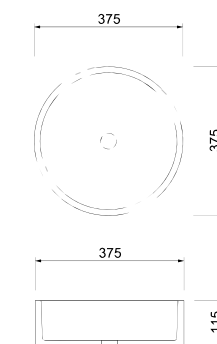
- S-008 N-White
- S-004 Ivory



VB3701

NEW

- S-008 N-White
- S-004 Ivory

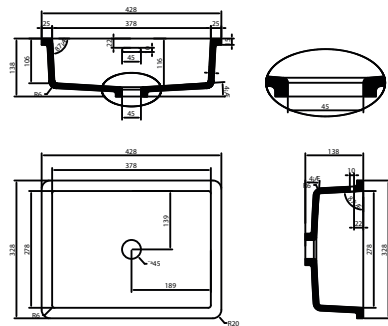




VB4201

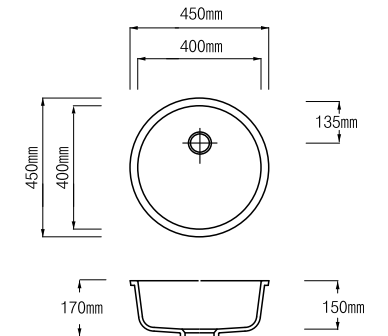
NEW

- S-008 N-White
- S-004 Ivory



VB4515

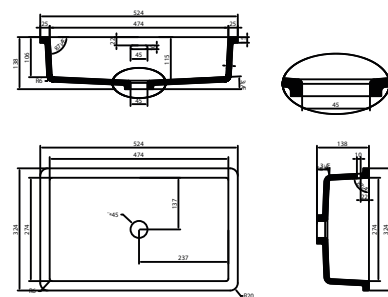
- S-008 N-White
- S-004 Ivory



VB5201

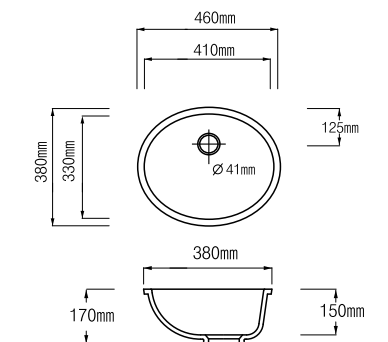
NEW

- S-008 N-White
- S-004 Ivory



VB4615

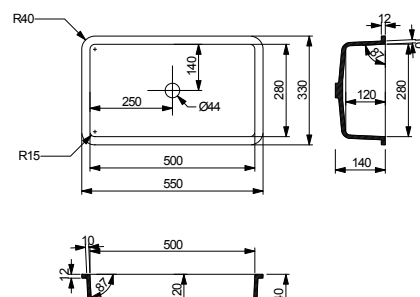
- S-008 N-White
- S-004 Ivory



VB5501

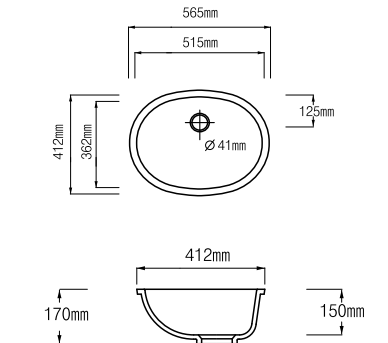
NEW

- S-008 N-White
- S-004 Ivory



VB5615

- S-008 N-White
- S-004 Ivory





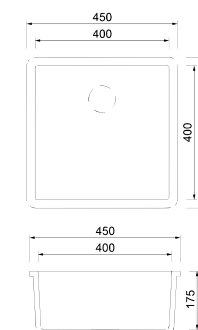
Hanex[®]
Casting Sinks



SB4001

NEW

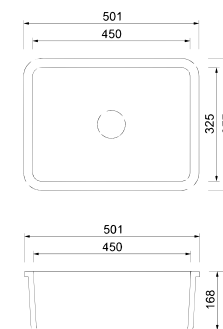
- S-008 N-White
- S-004 Ivory



SB5001

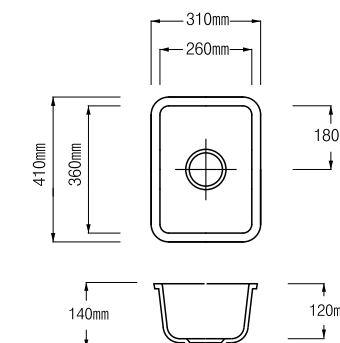
NEW

- S-008 N-White
- S-004 Ivory



SB3112

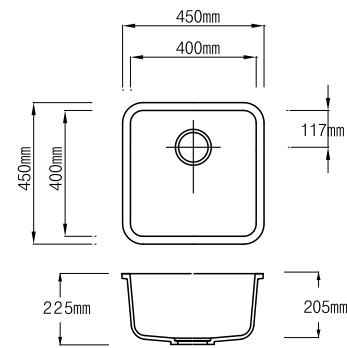
- S-008 N-White
- S-004 Ivory





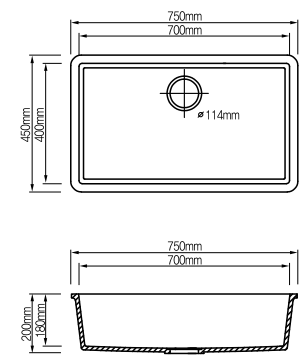
SB4520

- S-008 N-White
- S-004 Ivory



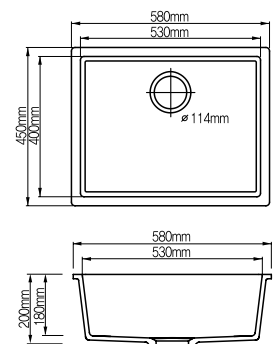
SB7518

- S-008 N-White
- S-004 Ivory



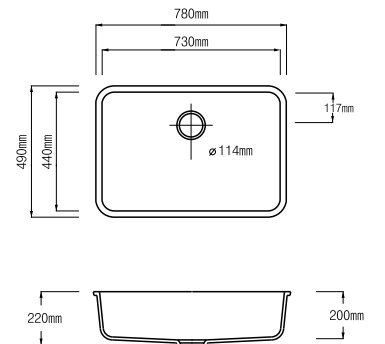
SB5818

- S-008 N-White
- S-004 Ivory



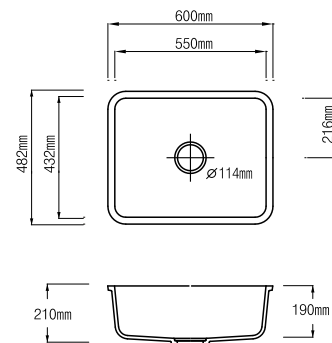
SB7820

- S-008 N-White
- S-004 Ivory



SB6019

- S-008 N-White
- S-004 Ivory





Waste Valve / Bowls



WW 14
push to open

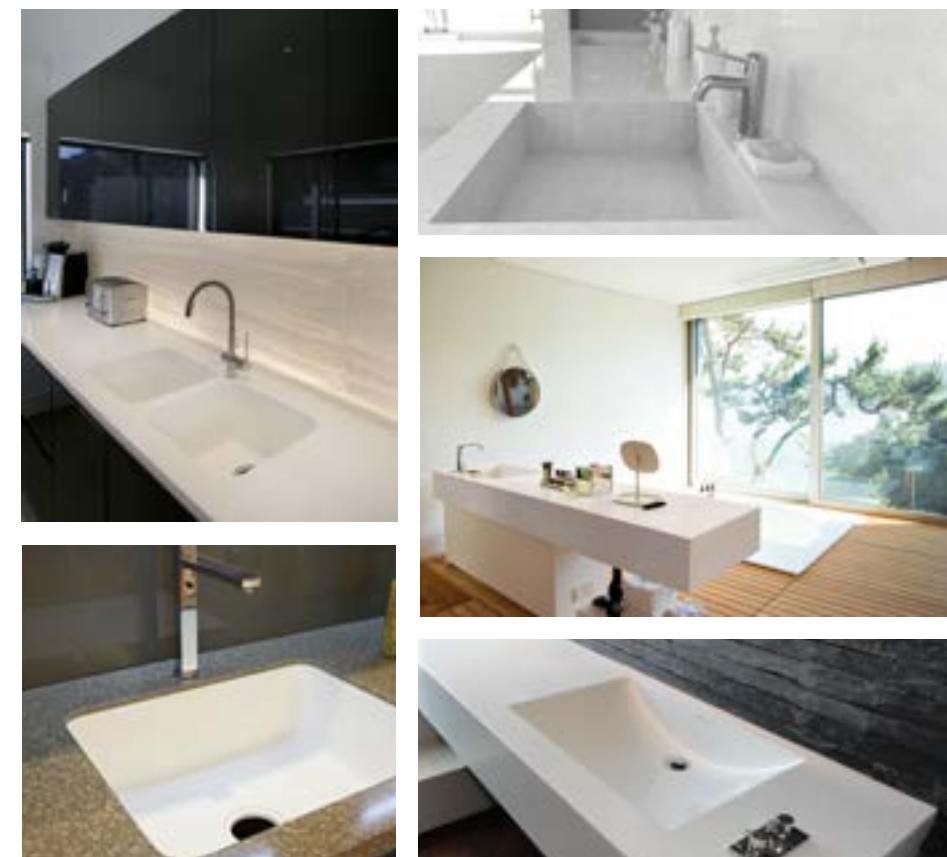


WW 14
non lockable

Drain Set / Bowls



DS1
Overflow
- Square

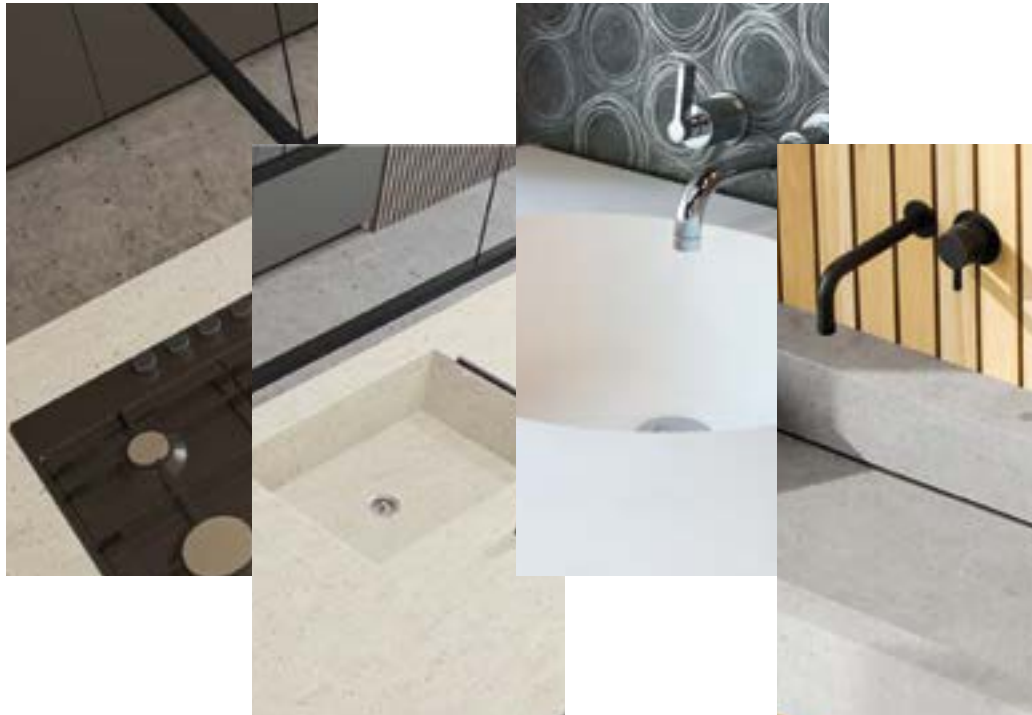


Our sinks and bowls provide beautiful, high quality, hygienic and reliable designs to residential and public spaces. With our range of colours and design possibilities, we have the right concept for the bathroom and kitchen area. Our sinks & bowls are resistant to heat and scratches, guarantee a modern look and are easy to clean.

Hanex®

The pictures listed here are only examples and may differ from the assortment.
The selection of accessories may vary and should be requested from the Hanex®-Team if necessary.

Creating added values
through innovation



L & C

Hyundai L&C Europe GmbH

Düsseldorfer Straße 13
65760 Eschborn, Germany
+49 6196 5869 012
info@hyundailnc.eu
www.hyundailnc.eu



SADUN s.r.l.

Via Wagner n. 193
20831 Seregno (MB)
Tel. +39 0362 23341
info@sadun.it
www.sadun.it